

VCS-5D 5 DIGIT DISPLAY CONTROL UNIT USER MANUAL

SPECIFICATIONS

- * Infrared receiver + Remote Control
- * Extra control unit for VCS-8DL, VCS16DL, VSS-48DL and VCS-48DM
- * 5 Digit display
- * HandShake operation
- * 4 Cable connections (TX, RX, +12V, GND)
- * 12 Vdc. power from the switchers
- * Connectors included
- * Plastic ABS case
- * Micro processor controlled



TECHNICAL SPECIFICATIONS

| | |
|--------------------------|-------------------------------|
| Input Voltage | : 10-14Vdc. |
| Power Consumption | : 12V. / 5 Watt |
| Operating Temperature: | 0°C to +60°C |
| Connector Type | : 4 Mike Connector |
| Cable distance | : Max. 400Mt. (+ - Exc.) |
| Cable distance | : Max. 100Mt. (+ - Inc.) |
| Cable Type | : 4x0.22 LIY(SI)CY (Shielded) |
| Dimensions (mm.) | : 100x32x69 |
| Remote control distance: | Max. 7mt. |

PHISICAL LIFE: 7 years

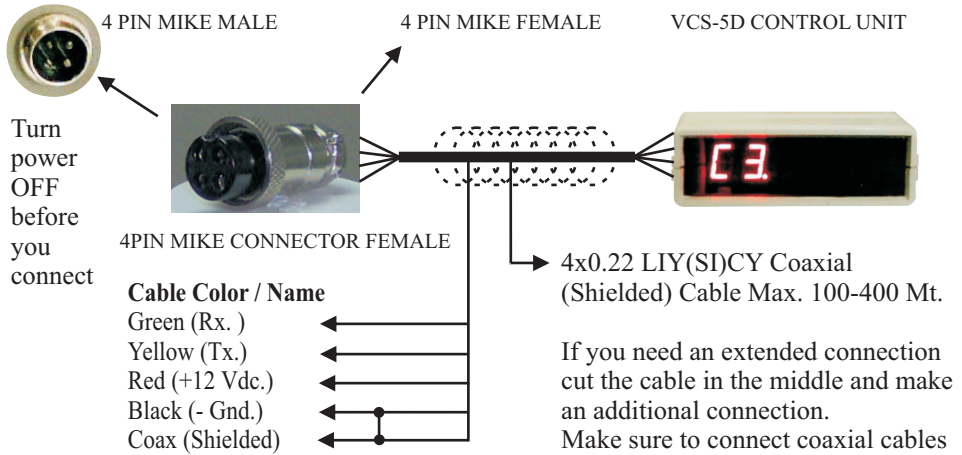
MAINTENANCE: Keep the device dry, if it gets wet dry immediately, liquids contain harmful ingredients for electronic devices. Keep in normal temperature, heat changes shortens physical life, damages plastic parts.

USAGE FAULT: Voltage changes or faulty electric network, problems caused by usage in different voltages other than mentioned on product label, usage other than mentioned in users manual are out of warranty.

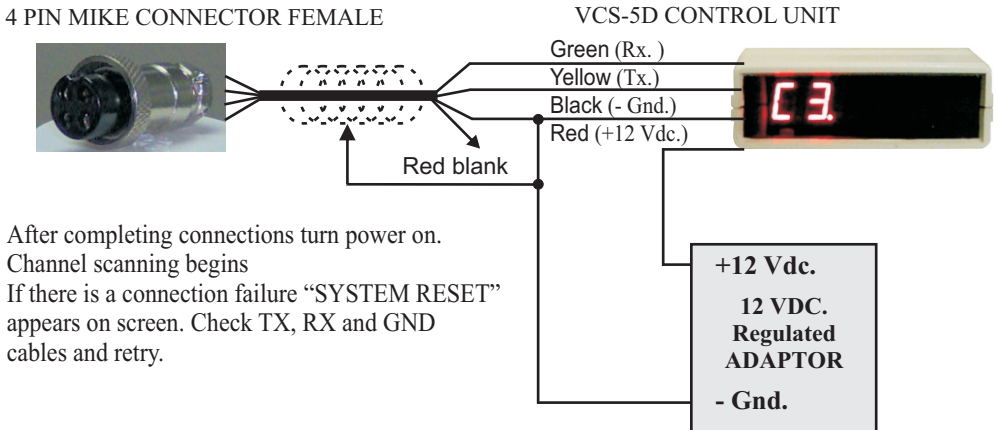
CARRYING INSTRUCTIONS: Device should be fixed on a flat ground, keep out of humid or wet places.

CONNECTION

Connects to additional control unit output at the back of VCS-8DL, VCS-16DL, VCS48DL and VCS-48M.



After soldering, make sure to isolate the additional cables. If you need wiring more than 70-100 Mt. (Max. 400Mt.) use the connection method illustrated below. Use a lithium battery (3V) for the remote control. See remote control user manual for details.



MANUFACTURER: ELEKTROSEC Elektronik Güvenlik Sistemleri San. ve Tic. Ltd. Şti.
 Cemal sururi sk. No: 21 D.1 Mecidiyeköy/ISTANBUL/TURKIYE
 Tel: +90212 2120310 Pbx. +90212 3474690 Pbx. Fax: +90212 3474692
 Email: electrosec@electrosec.com Web: www.electrosec.com